

# MAF300LD / M series

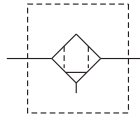
AIR UNITS ( Mist / Micromist Filter )



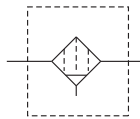
Mindman



### Symbol:



D : 0.3 μm



M : 0.01 μm

### Specification:

Model	MAF300LD/M	
Bore No.	8A	10A
Port size	PT 1/4	PT 3/8
Medium	Air	
Operating pressure range	0~9.9kgf/cm <sup>2</sup> (0~0.99MPa)	
Proof pressure	15kgf/cm <sup>2</sup> (1.5MPa)	
Ambient temperature	-5°C~+60°C (No freezing)	
Filtration	0.3 μm, 0.01 μm	
Weight	300g	

### Order example:

MAF300LD — 8A — □ — BSP

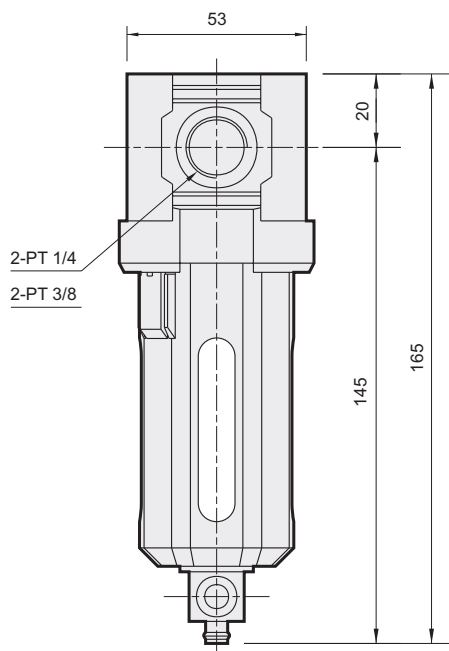
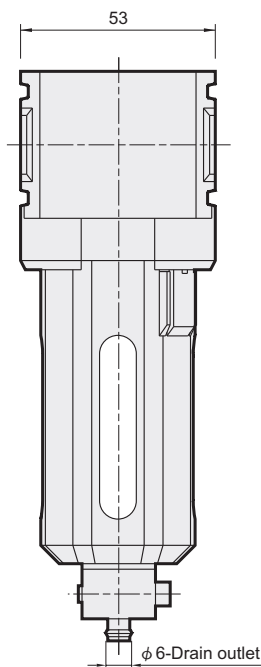
MODEL

BORE SIZE  
8A: PT 1/4  
10A: PT 3/8

D: Auto drain valve  
(FMRF 300)

PORT THREAD  
Blank: PT thread  
BSP: BSP thread  
NPT: NPT thread

FILTRATION  
D: 0.3 μm  
M: 0.01 μm



### Auto drain type

